

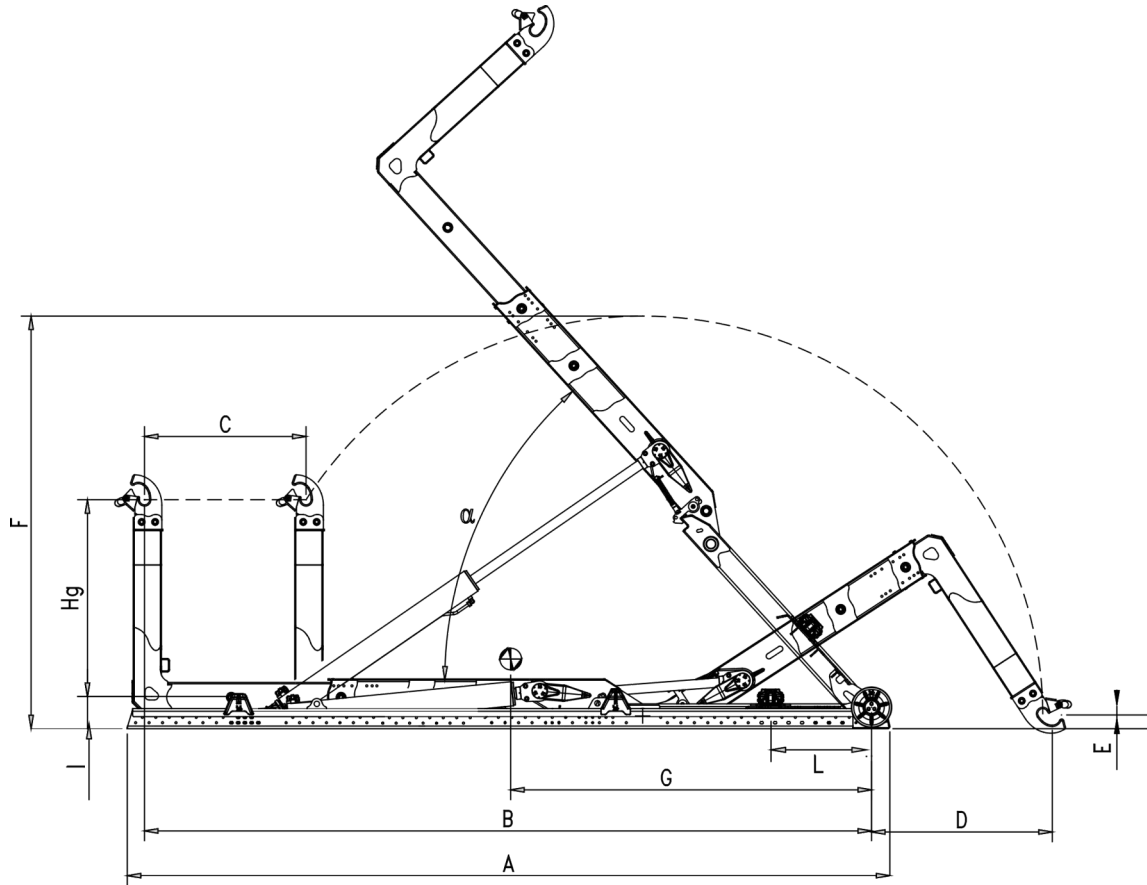
T26 MS



follow us on:



WWW.BOBSPA.COM



T26 MS

CONTAINER

MODEL	HG	A	B	C	D	E	F	G	I	L	WEIGHT	α	MIN	MAX
T26 XC MS	1425/1570	4860	4600	800	1700	1120	3070	2500	260	450	2490 kg	55°	4200	5200
T26 C MS	1425/1570	5060	4800	1000	1700	1120	3070	2550	260	450	2490 kg	55°	4200	5400
T26 NC MS	1425/1570	5260	5000	1200	1700	1120	3070	2600	260	450	2490 kg	55°	4200	5600
T26 N MS	1425/1570	5460	5200	1200	1500	1120	3070	2750	260	550	2520 kg	52°	4400	5800
T26 NL MS	1425/1570	5660	5400	1200	1300	1120	3070	2900	260	700	2550 kg	49°	4600	6000
T26 L MS	1425/1570	5860	5600	1200	1100	1120	3070	3050	260	900	2580 kg	46°	4800	6200
T26 XL MS	1425/1570	6060	5800	1200	900	1120	3070	3150	260	1000	2600 kg	43°	5000	6500

TL26 MS

CONTAINER

MODEL	HG	A	B	C	D	E	F	G	I	L	WEIGHT	α	MIN	MAX
TL26 C MS	1425/1570	6000	5750	1300	1480	170	3290	3150	260	700	2770 kg	54°	4800	6400
TL26 NC MS	1425/1570	6200	5950	1300	1280	170	3290	3300	260	900	2790 kg	51°	5000	6600
TL26 N MS	1425/1570	6400	6150	1300	1080	170	3290	3450	260	1100	2820 kg	48°	5200	6800
TL26 NL MS	1425/1570	6600	6350	1300	880	170	3290	3600	260	1300	2840 kg	46°	5400	7000
TL26 L MS	1425/1570	6800	6550	1300	680	170	3290	3700	260	1500	2880 kg	44°	5600	7200