

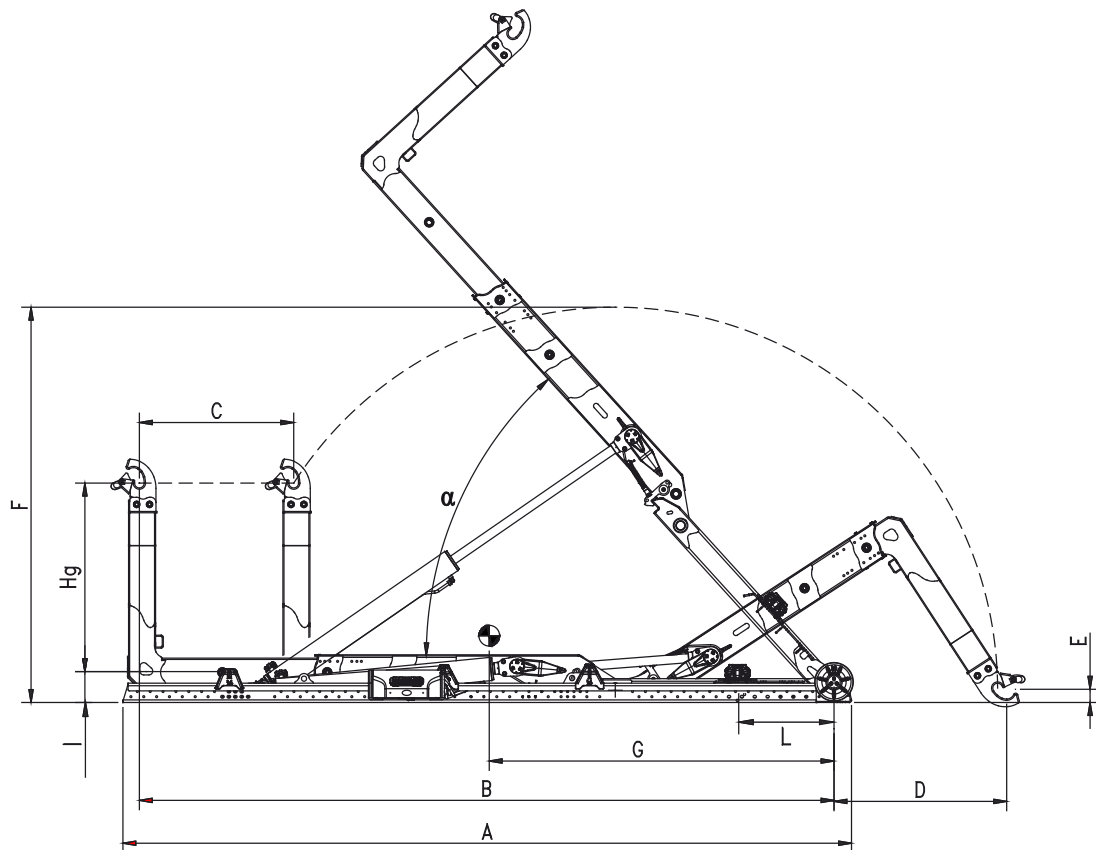
# T16 MS



follow us on



[WWW.BOBSPA.COM](http://WWW.BOBSPA.COM)



## T16 MS

CONTAINER

MODEL	HG	A	B	C	D	E	F	G	I	L	WEIGHT	$\alpha$	MIN	MAX
T16 XC MS	1425/1570	5080	4400	800	1580	100	2880	2440	220	500	1705 kg	55°	4000	5000
T16 C MS	1425/1570	5080	4600	1000	1580	100	2880	2480	220	500	1705 kg	55°	4000	5200
T16 NC MS	1425/1570	5080	4800	1200	1580	100	2880	2510	220	500	1705 kg	55°	4000	5400
T16 N MS	1425/1570	5280	5000	1200	1380	100	2880	2660	220	700	1730 kg	51°	4200	5600
T16 NL MS	1425/1570	5480	5200	1200	1180	100	2880	2800	220	900	1755 kg	48°	4400	5800
T16 L MS	1425/1570	5680	5400	1200	980	100	2880	2940	220	1000	1780 kg	45°	4600	6000
T16 XL MS	1425/1570	5880	5600	1200	1140	0	3050	2980	220	1000	1820 kg	45°	4800	6200