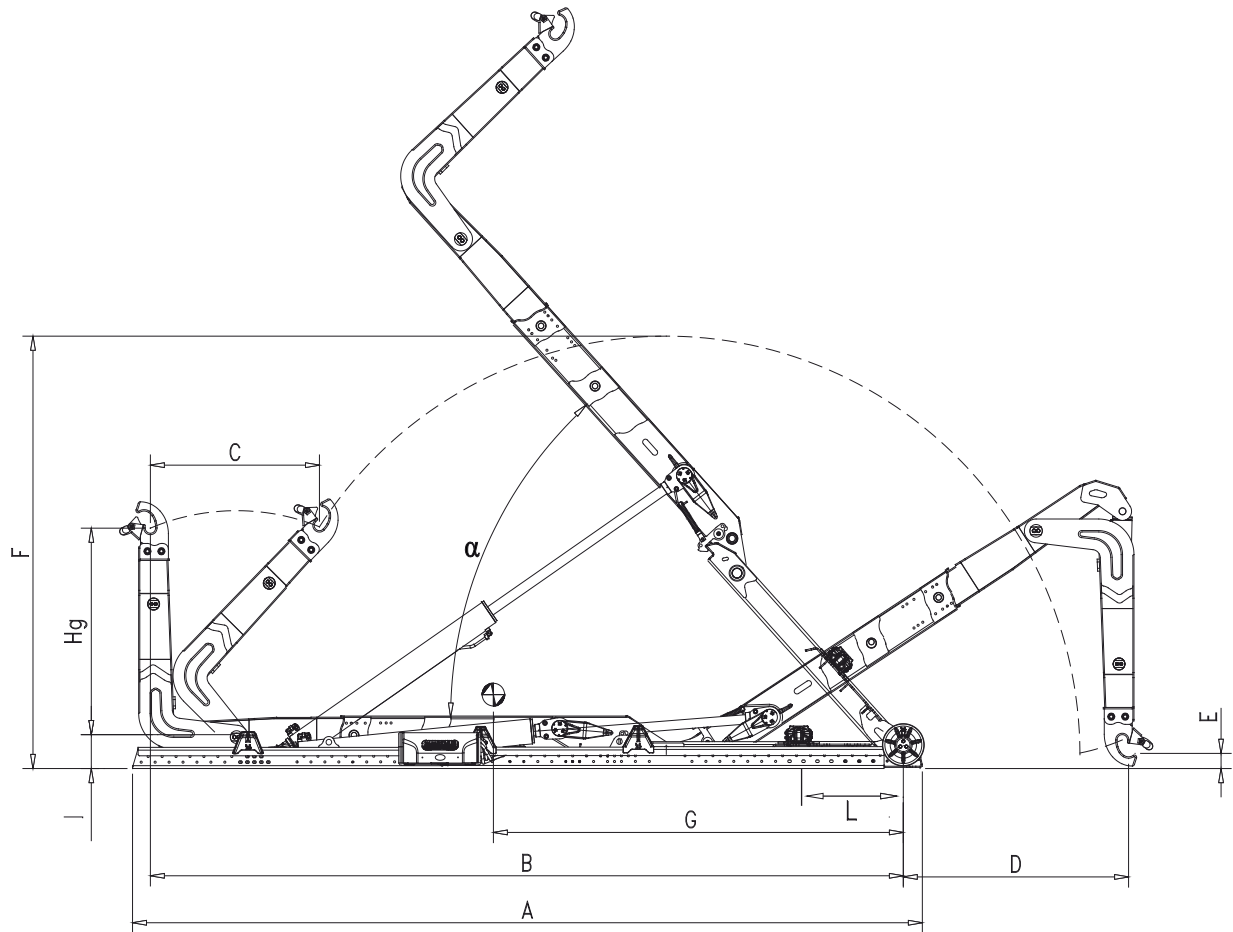




follow us on:





A20 MS

MODEL	HG	A	B	C	D	E	F	G	I	L	WEIGHT	α	CONTAINER	
													MIN	MAX
A20 C MS	1425/1570	5280	4800	1200	1850	160	2710	2640	240	350	1745 kg	55°	4200	5400
A20 NC MS	1425/1570	5280	5000	1200	1650	160	2710	2780	240	500	1770 kg	51°	4200	5600
A20 N MS	1425/1570	5480	5200	1200	1450	160	2710	2920	240	700	1795 kg	48°	4400	5800
A20 NL MS	1425/1570	5680	5400	1200	1620	50	2880	2960	240	700	1805 kg	48°	4600	6000
A20 L MS	1425/1570	5880	5600	1200	1620	50	2880	3100	240	900	1810 kg	45°	4800	6200