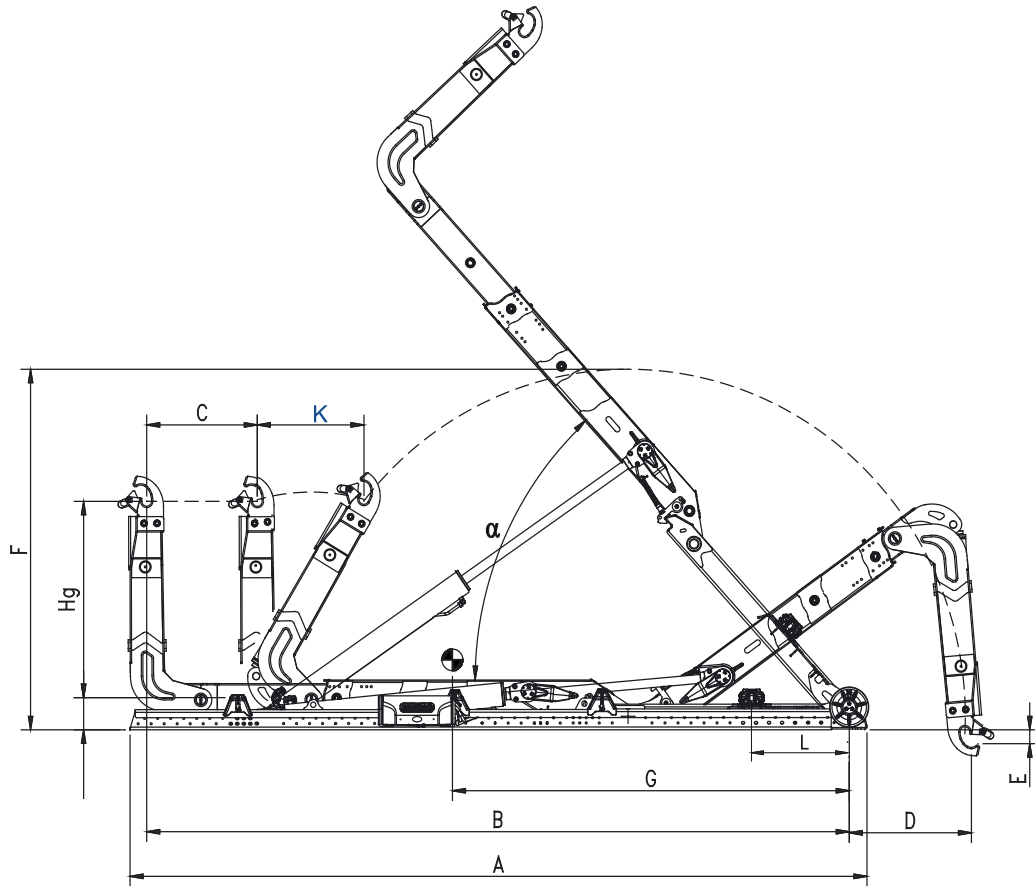


TA20 MS



www.bobspa.com



TA20 MS

														CONTAINER	
MODEL	HG	A	B	C	D	E	F	G	I	K	L	WEIGHT	α	MIN	MAX
TA20 C MS	1425/1570	5280	4800	650	1240	60	2680	2740	240	850	450	2270 kg	55°	3600	5400
TA20 NC MS	1425/1570	5280	5000	850	1240	60	2680	2770	240	850	450	2270 kg	55°	3600	5600
TA20 N MS	1425/1570	5480	5200	850	1040	60	2680	2910	240	850	550	2310 kg	51°	3800	5800
TA20 NL MS	1425/1570	5680	5400	850	940	60	2680	3050	240	850	750	2350 kg	48°	4000	6000
TA20 L MS	1425/1570	5880	5600	850	740	60	2680	3190	240	850	1000	2390 kg	45°	4200	6200

TAL20 MS

														CONTAINER	
MODEL	HG	A	B	C	D	E	F	G	I	K	L	WEIGHT	α	MIN	MAX
TAL 20 C MS	1425/1570	6230	5750	1150	1340	100	2880	3210	240	850	550	2530 kg	57°	4200	6400
TAL 20 NC MS	1425/1570	6430	5950	1150	1140	100	2880	3360	240	850	750	250 kg	54°	4400	6600
TAL 20 N MS	1425/1570	6630	6150	1150	940	100	2880	3510	240	850	1000	2570 kg	51°	4600	6800
TAL 20 NL MS	1425/1570	6830	6350	1150	740	100	2880	3660	240	850	1100	2590 kg	48°	4800	7000
TAL 20 L MS	1425/1570	7030	6550	1150	540	100	2880	3810	240	850	1300	2620 kg	46°	5000	7200