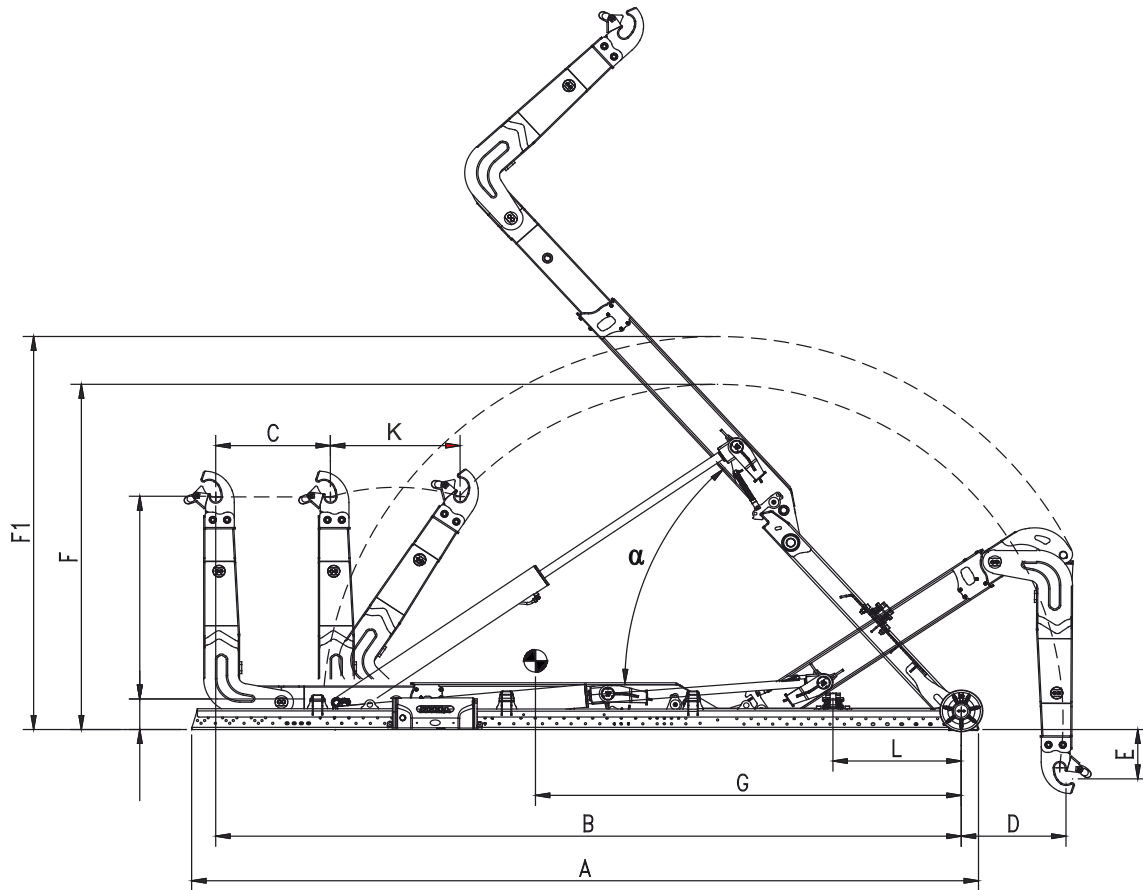


TA14 MS



www.bobspa.com



TA14 MS CONTAINER

MODEL	HG	A	B	C	D	E	F	F1	G	I	K	L	WEIGHT	α	MIN	MAX
TA14 XC MS	1425/1570	5090	4600	600	1130	360	2480	2830	2850	220	900	500	1840 kg	55°	3400	5200
TA14 C MS	1425/1570	5090	4800	800	1130	360	2480	2830	2890	220	900	500	1840 kg	55°	3400	5400
TA14 NC MS	1425/1570	5290	5000	800	930	360	2480	2830	2930	220	900	700	1870 kg	51°	3600	5600
TA14 N MS	1425/1570	5490	5200	800	730	360	2480	2830	2970	220	900	900	1900 kg	48°	3800	5800
TA14 NL MS	1425/1570	5690	5400	800	530	360	2480	2830	3110	220	900	1000	1930 kg	45°	4000	6000