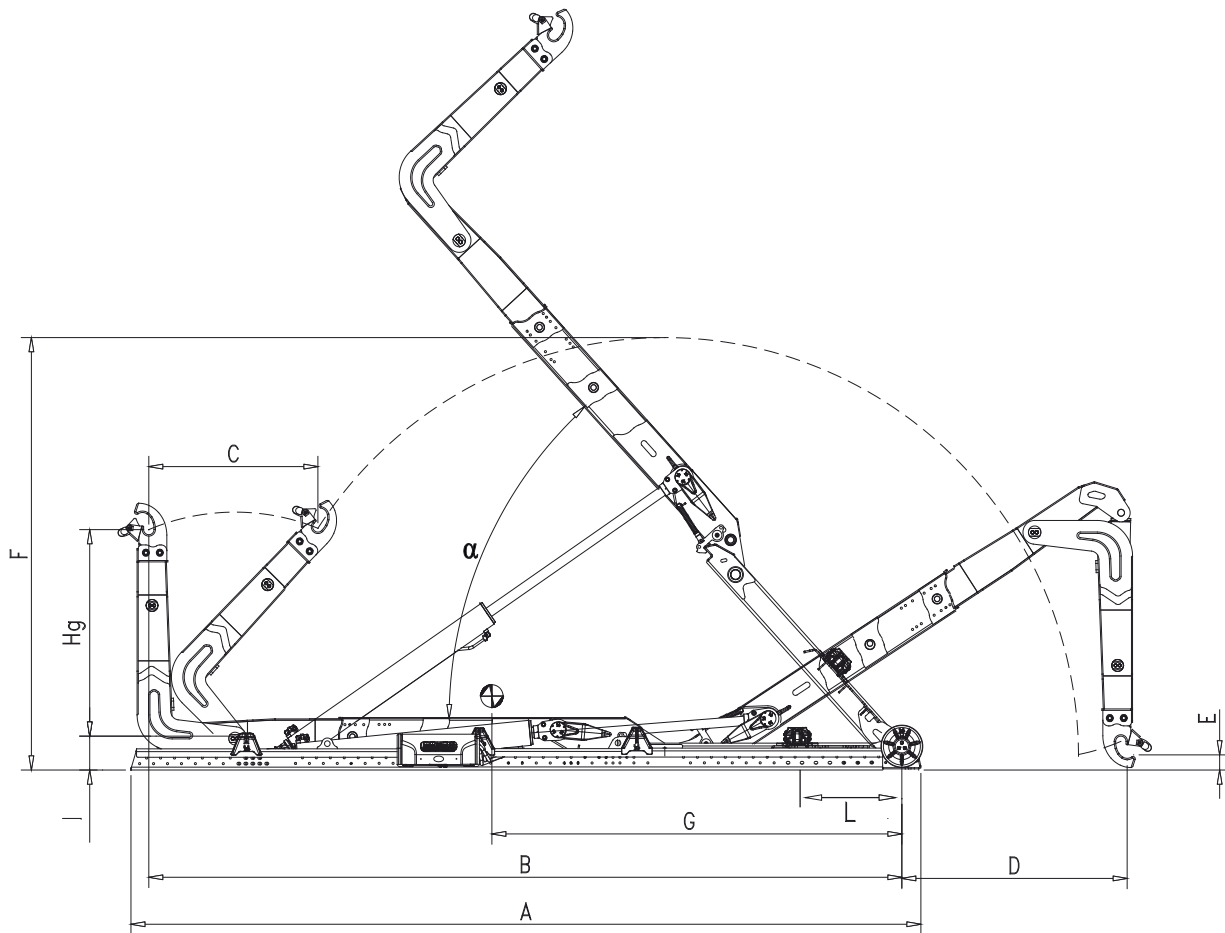


A18 MS



www.bobspa.com



A18 MS													CONTAINER	
MODEL	HG	A	B	C	D	E	F	G	I	L	WEIGHT	α	MIN	MAX
A18 C MS	1425/1570	5280	4800	1200	1850	0	2900	2620	240	350	1960 kg	55°	4200	5400
A18 NC MS	1425/1570	5280	5000	1200	1650	0	2900	2760	240	500	1990 kg	51°	4200	5600
A18 N MS	1425/1570	5480	5200	1200	1450	0	2900	2900	240	700	2020 kg	48°	4400	5800
A18 NL MS	1425/1570	5680	5400	1200	1620	100	3060	2940	240	700	2050 kg	48°	4600	6000
A18 L MS	1425/1570	5880	5600	1200	1420	100	3060	3070	240	900	2080 kg	45°	4800	6200