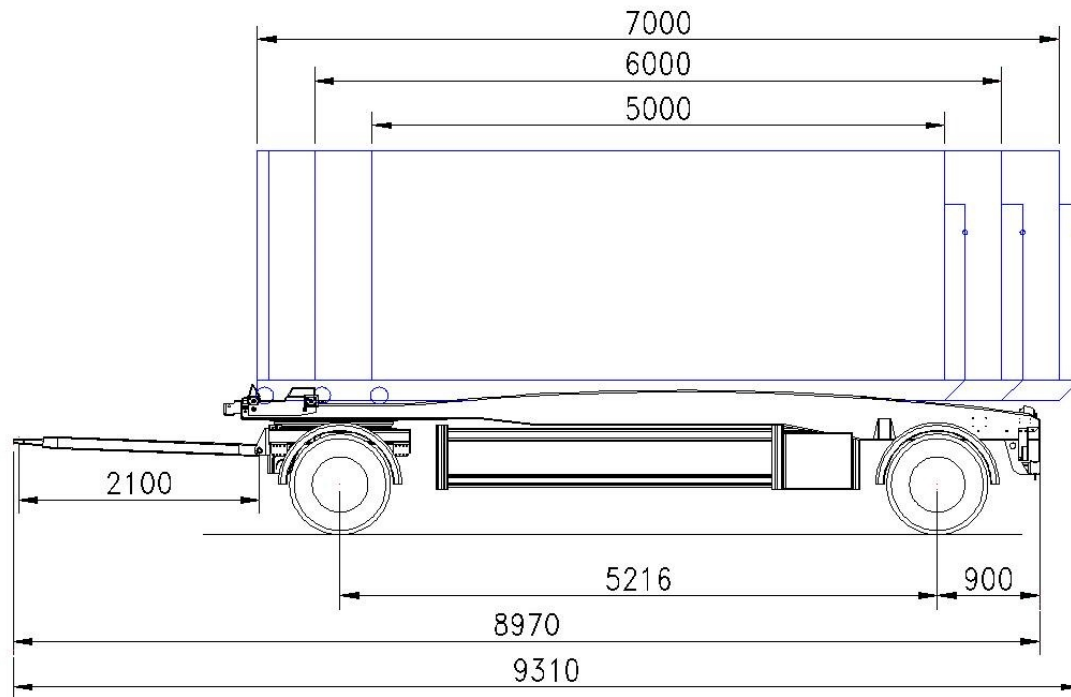


ITRUNNER 20 RAINBOW



2-AXLES DRAWBAR TRAILER with pneumatic suspensions Container handling measures mm 5.000 – 7.000 + INP200

- **FEATURES:**
- Tare: kg 3.300
- Nbr. 2 axles **SAF** with disk brake capacity 10 tons each
- Pneumatic suspensions with automatic level system
- Braking system double circuit WABCO with ABS and EBS system
- Electric system according to CEE regulation
- Tyres Nbr. 9 size 265/70 R 19.5
- Towing eye automatic diam. 50 mm
- Special trailer carrying frame in high tensile steel with lowered container supports mm 1.080
- Trailer wide carrying frame with translation trolley in high tensile steel DOMEX
- Translation trolley equipped with 4 sets of guide roller bearings and end of run rubber stops
- Container hydraulic locking internal equipped with special locking jaws
- **Ancillary equipments:**
- Lateral cyclist protections in light aluminium alloy with zinc coated support arms
- Wedges and wedges carrier
- Toolbox in ABS black
- Fenders on each axle in ABS black
- Spare wheel carrier
- Rear bumper with integral rubber flap ITRUNNER
- Painting on sandblasted metallic parts enamel coat standard grey