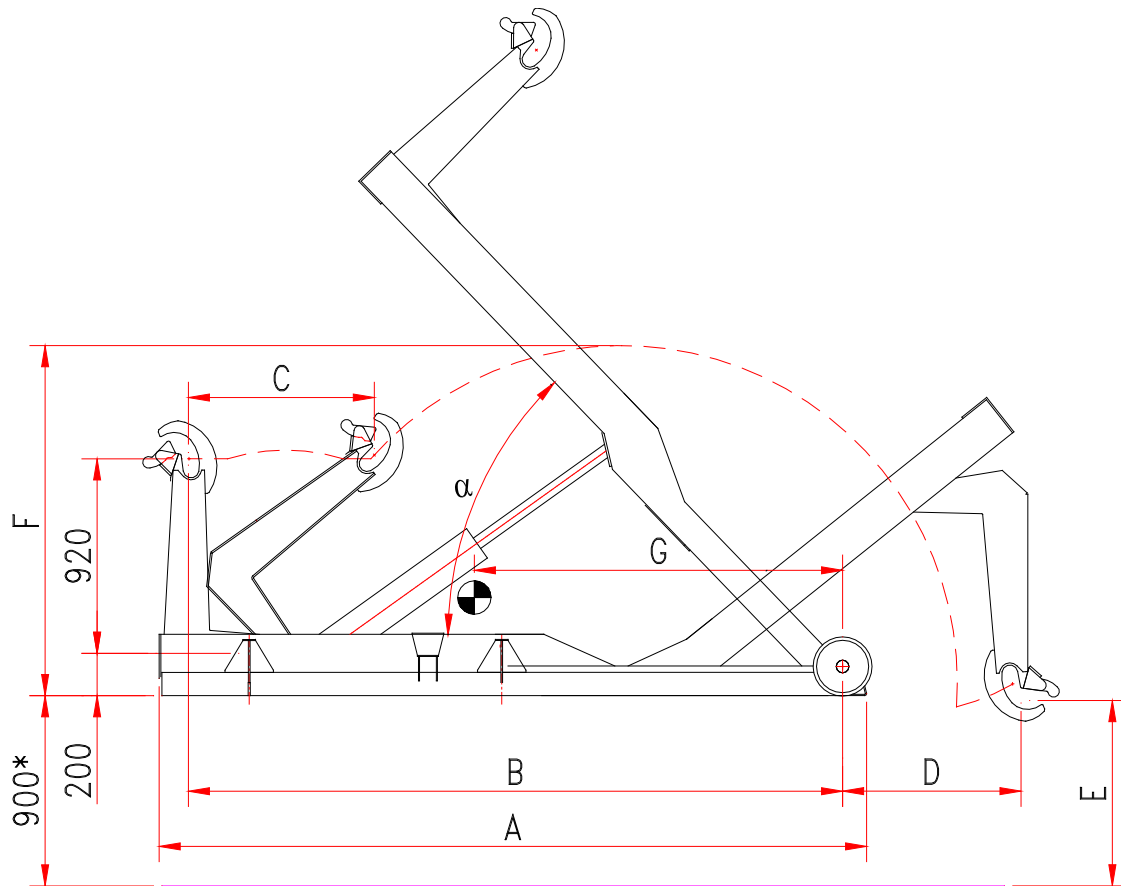


A 6 – Class I

EDIT 180620

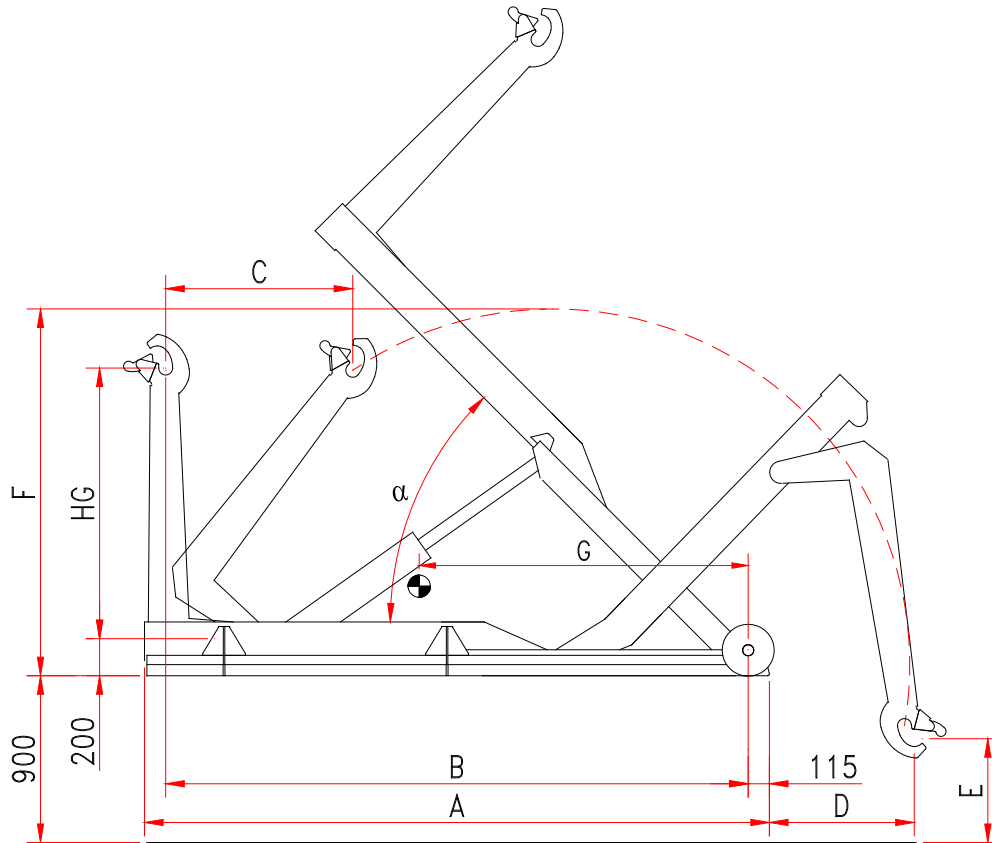


Model	Hg	A	B	C	D	E	F	G	Weight kit	α	Container	min.	max.
A 6 C	900/920	3.165	2.950	885	935	875	1.655	1.750	890 kg	52°		2.400	3.600
A 6 N	900/920	3.365	3.150	885	735	875	1.655	1.800	920 kg	46°		2.600	3.800
A 6 L	900/920	3.565	3.350	885	535	875	1.655	1.850	950 kg	42°		2.800	4.000
A 6 XL	900/920	3.765	3.550	885	785	875	1.800	1.910	1.070 kg	52°		3.000	4.200
A 6 XXL	900/920	3.965	3.750	885	585	875	1.800	1.960	1.100 kg	47°		3.200	4.400

* maximum chassis height (without loading)

A 6 – Class II

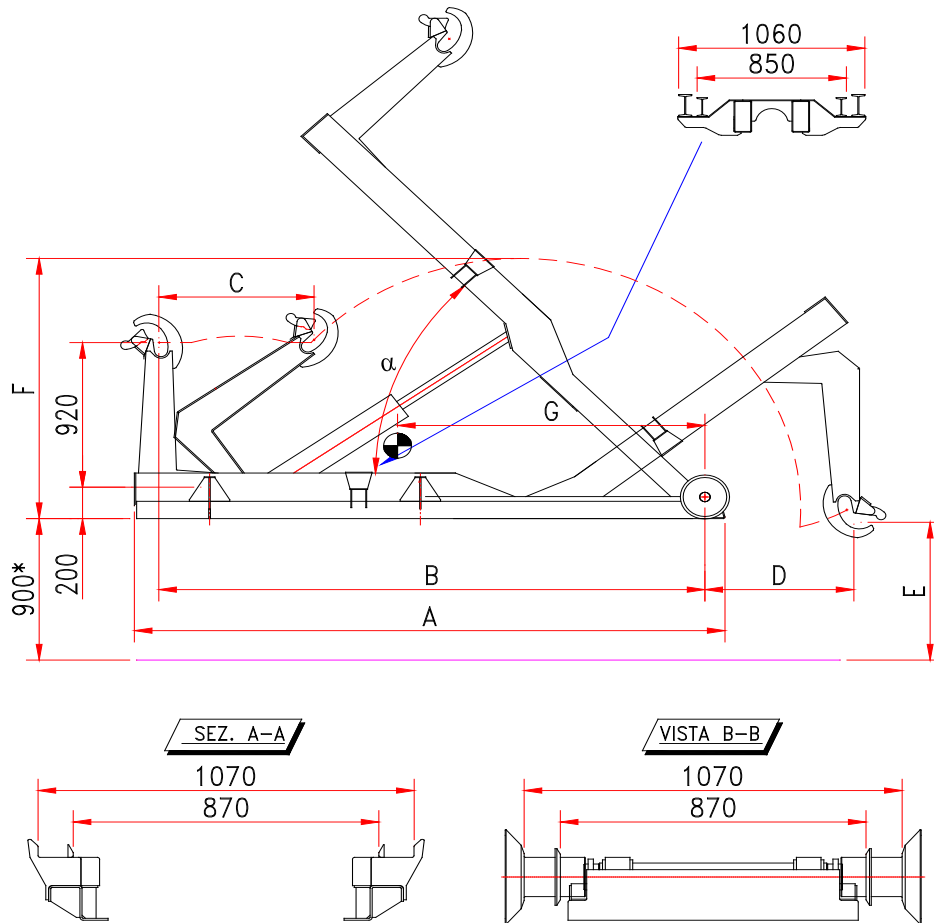
EDIT 180620



Model	Hg	A	B	C	D	E	F	G	Weight kit	α	Container	
											min.	max.
A 6 C	1.425/1.570	3.165	2.950	1.000	975	590	1.980	1.750	920 kg	52°	2.400	3.600
A 6 N	1.425/1.570	3.365	3.150	1.000	775	590	1.980	1.800	950 kg	46°	2.600	3.800
A 6 L	1.425/1.570	3.565	3.350	1.000	575	590	1.980	1.850	980 kg	42°	2.800	4.000
A 6 XL	1.425/1.570	3.765	3.550	1.000	835	400	2.190	1.910	1.070 kg	52°	3.000	4.200
A 6 XXL	1.425/1.570	3.965	3.750	1.000	635	400	2.190	1.960	1.100 kg	47°	3.200	4.400

A 6 Double track – Class I

EDIT 180620



Model	Hg	A	B	C	D	E	F	G	Weight kit	α	Container	min.	max.
A 6 C D.P.	900/920	3.165	2.950	885	935	875	1.655	1.750	890 kg	52°		2.400	3.600
A 6 N D.P.	900/920	3.365	3.150	885	735	875	1.655	1.800	920 kg	46°		2.600	3.800
A 6 L D.P.	900/920	3.565	3.350	885	535	875	1.655	1.850	950 kg	42°		2.800	4.000
A 6 XL D.P.	900/920	3.765	3.550	885	785	875	1.800	1.910	1.070 kg	52°		3.000	4.200
A 6 XXL D.P.	900/920	3.965	3.750	885	585	875	1.800	1.960	1.100 kg	47°	3.200	4.400	

* maximum chassis height (without loading)